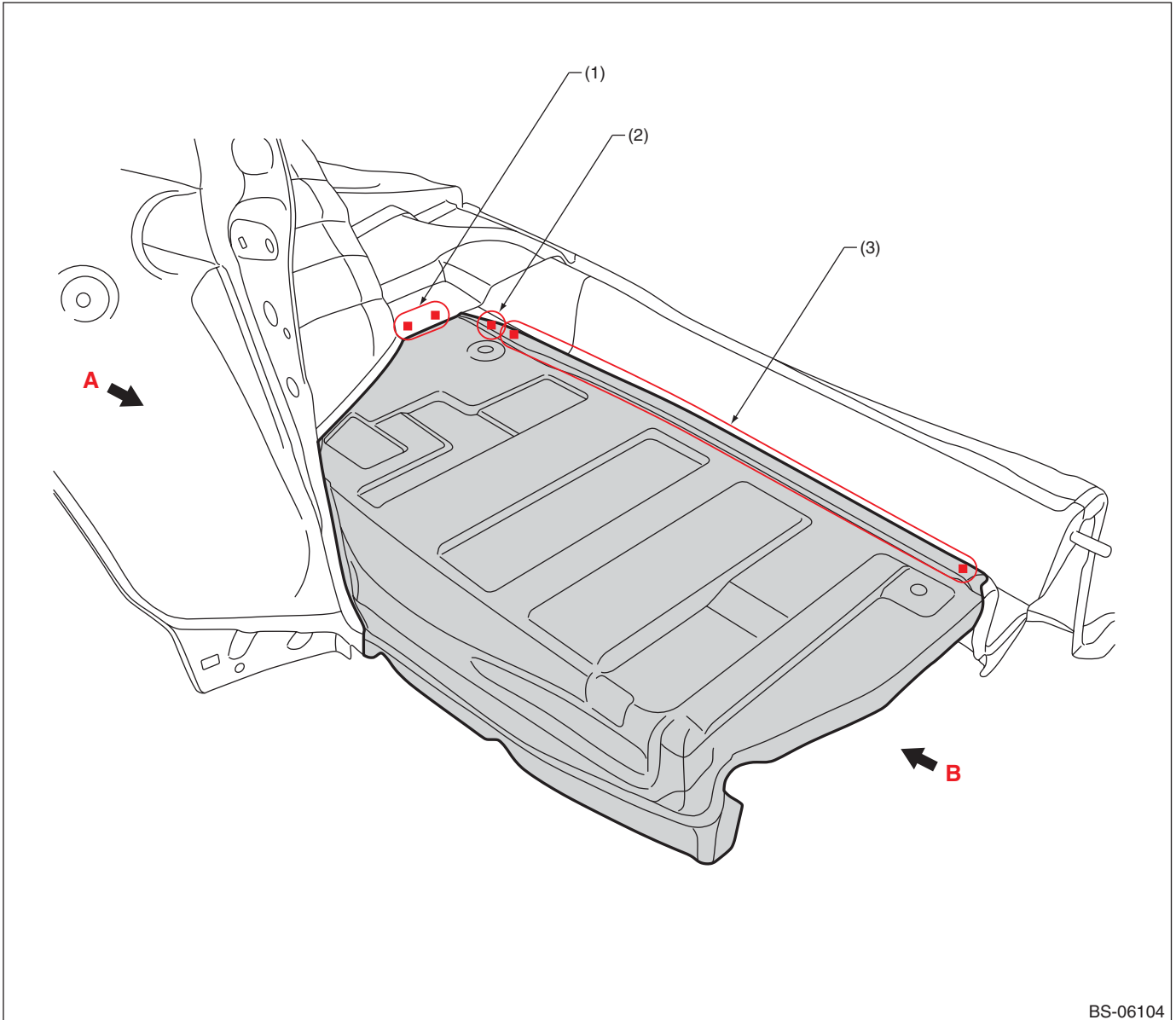


Panel Replacement

B: INSTALLATION

• Overall view



BS-06104

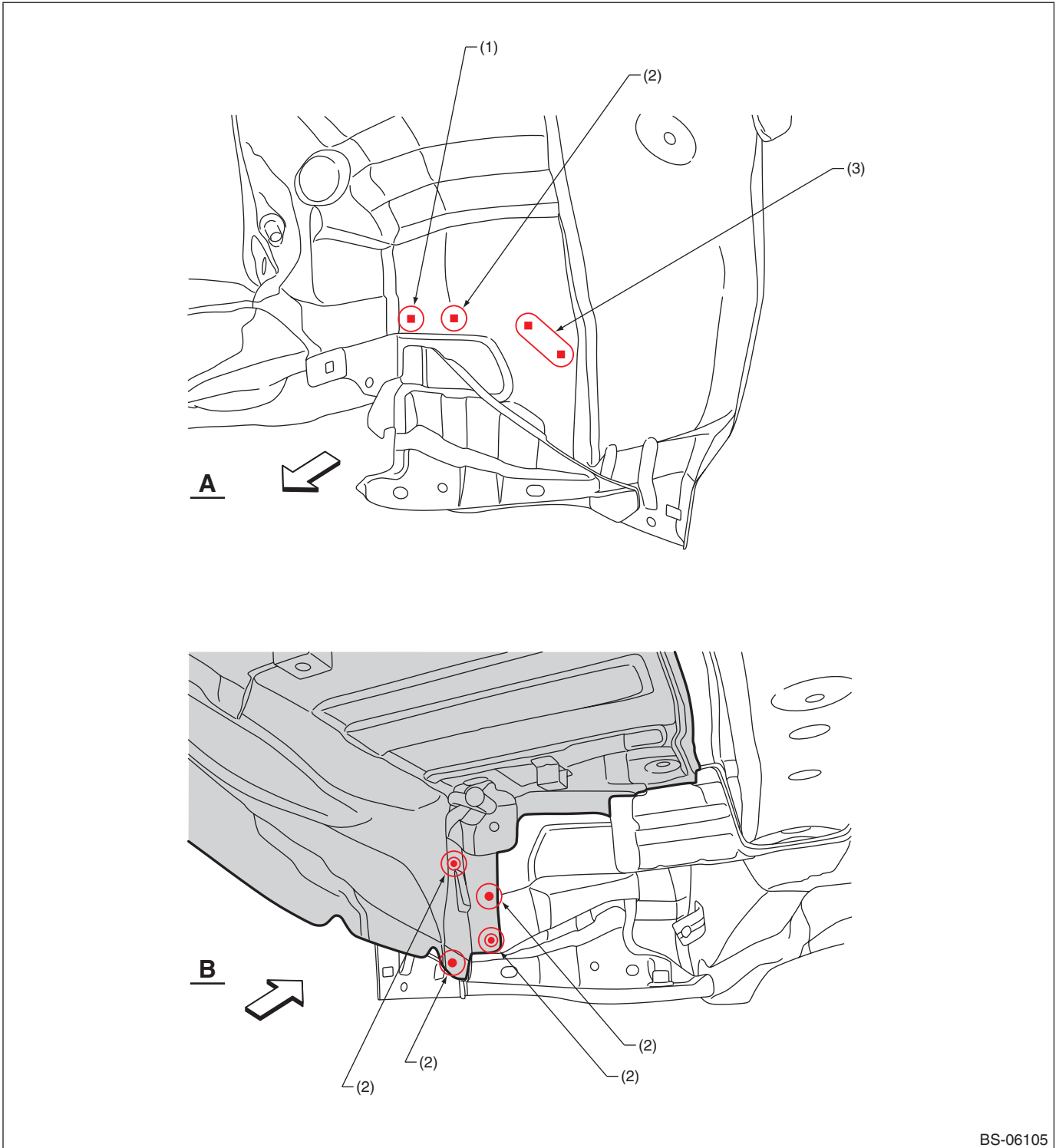
(1) 2 points (service · matching)

(2) 1 point (service)

(3) 10 points (service)

Panel Replacement

• Views



BS-06105

(1) 1 point (service · matching)

(2) 1 point

(3) 2 points